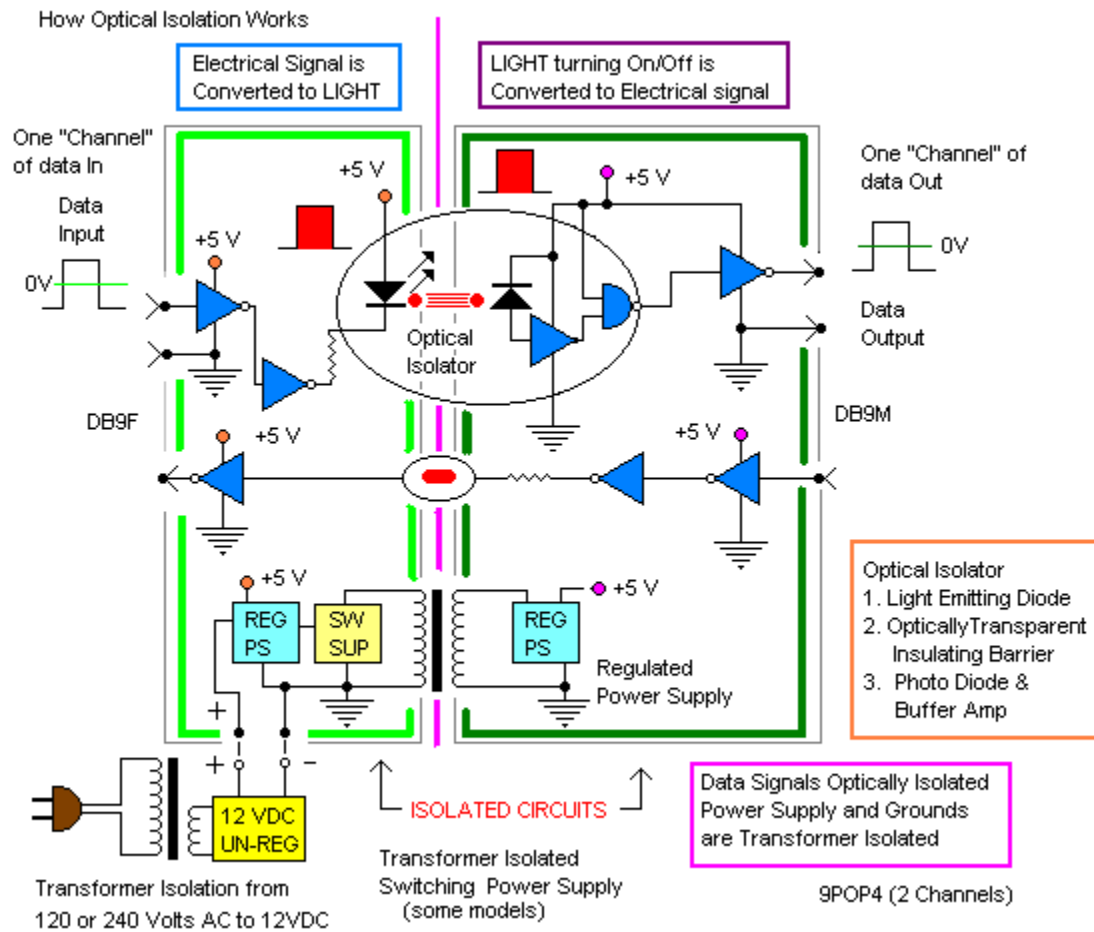
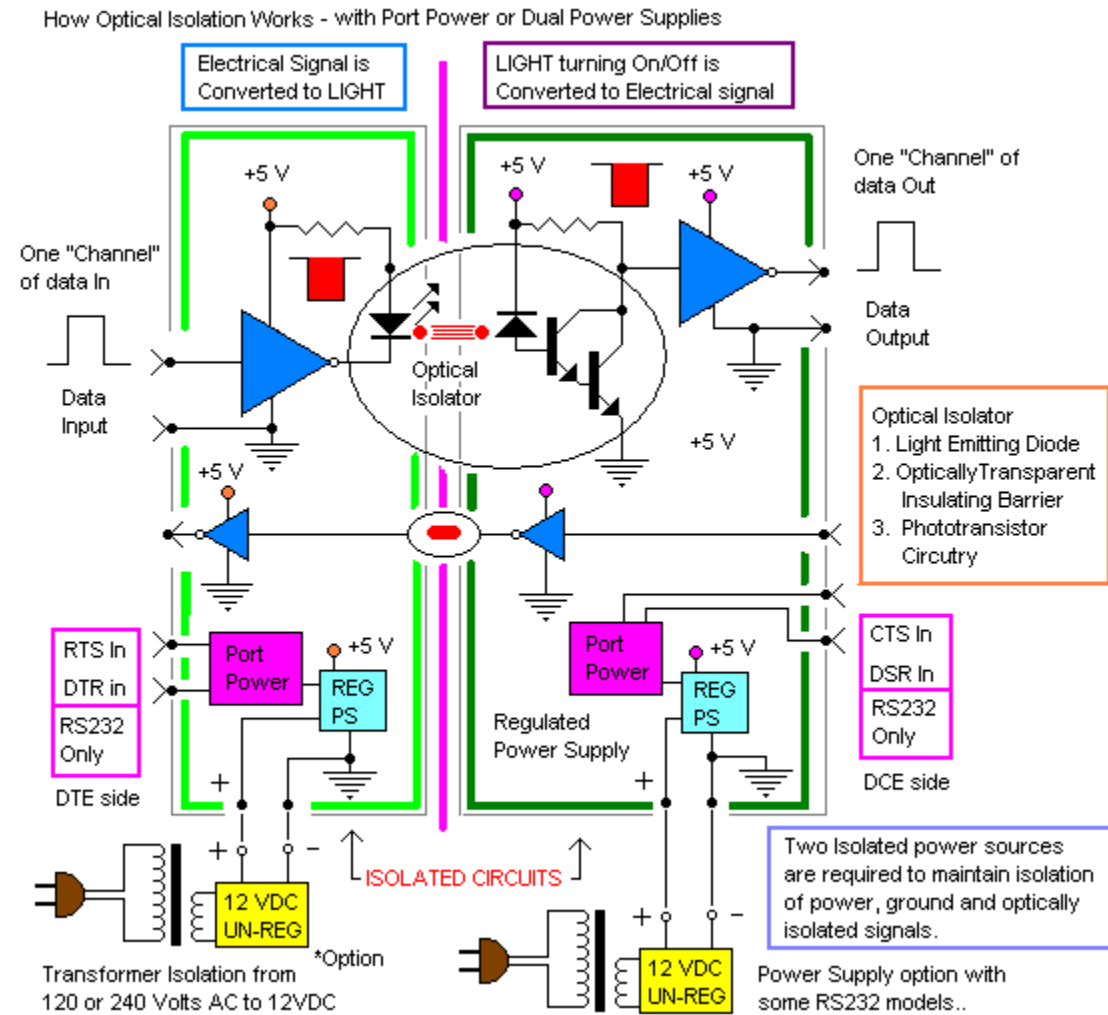


How Optical Isolation Works (with Switching Power Supply) - Illustration

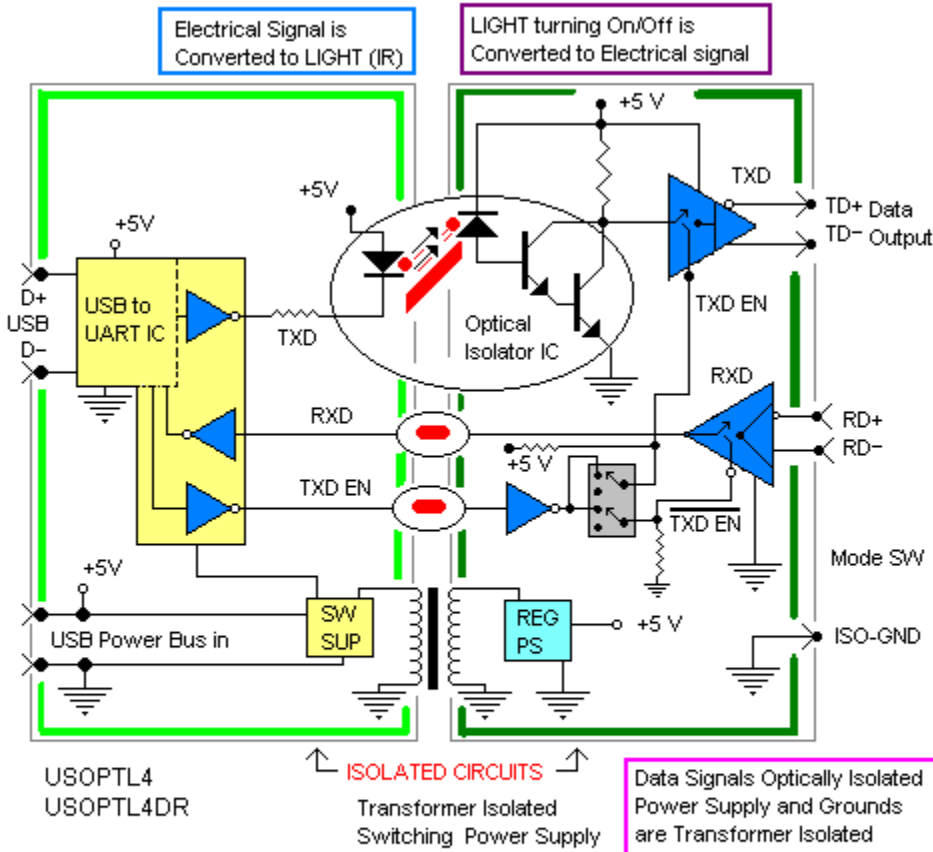


How Optical Isolation Works (with Dual Power Supplies) - Illustration



How Optical Isolation Works (USB) - Illustration

How Optical Isolation Works



- Optical Isolator IC Contains:
1. Light Emitting Diode (IR)
 2. Optically Transparent Barrier
 3. Photo Diode
 4. Darlington Pair of Transistors

USOPTL4DR-2 (1/2)
USOPTL4-2 (1/2)
USOPTL4-4 (1/4)
Each port duplicates isolated side

-twr20Jul07