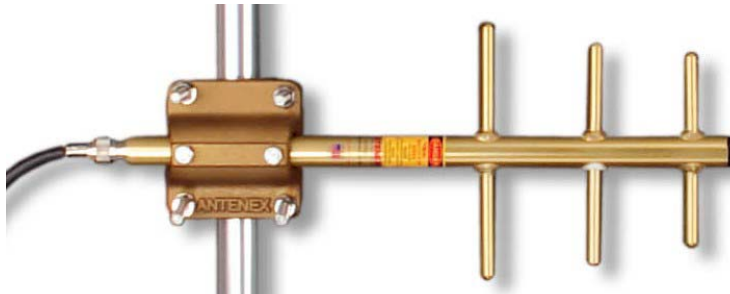


Product Specification

**TITLE: Y(B)8963 Black or Gold anodized 896-970MHz fully welded
3 elements 6dBd Directional Yagi**

Part #: **Y(B)8963**
Memo: **Spec**
Page: **1 of 5**
Date: **4/12/2006**



ELECTRICAL

Frequency Range:	896 - 970 MHz
Frequency Bandwidth:	74 MHz
VSWR:	< 2.0:1
Return Loss:	-10dB max
Nominal Gain:	6 dBd
Front to Back Ratio:	20 dB
Maximum Power:	300 W
Nominal Impedance:	50Ω
Polarization:	Vertical or Horizontal
Pattern:	Directional
Horizontal Beamwidth: (For Horizontal Polarization)	89°
Vertical Beamwidth: (For Vertical Polarization)	65°
Tuning:	Fixed Tune
Transmitting / Receiving:	Both

MOUNTING

Included: Heavy Duty Cast mount bracket accommodates 7/8" mast

MECHANICAL

Material:	Aluminum
Length:	16-3/4"
Height:	7.125"
Boom Diameter:	0.875"
Weight:	3.28 lbs
Rated Wind Velocity:	150mph (241kph)
Rated Wind Velocity (with 0.5" radial ice)	80mph (130kph)
Equivalent Flat Area:	0.1918sq. ft.
Cable:	None
Termination:	N-female connector
Color:	Gold or Black Anodized
Lightning Protection:	Lightning Arrestor LABH350NN (Sold Separately)



Product Specification

**TITLE: Y(B)8963 Black or Gold anodized 896-970MHz fully welded
3 elements 6dBd Directional Yagi**

Part #: **Y(B)8963**
Memo: **Spec**
Page: **2 of 5**
Date: **4/12/2006**

ANTENNA RADIATION PATTERN



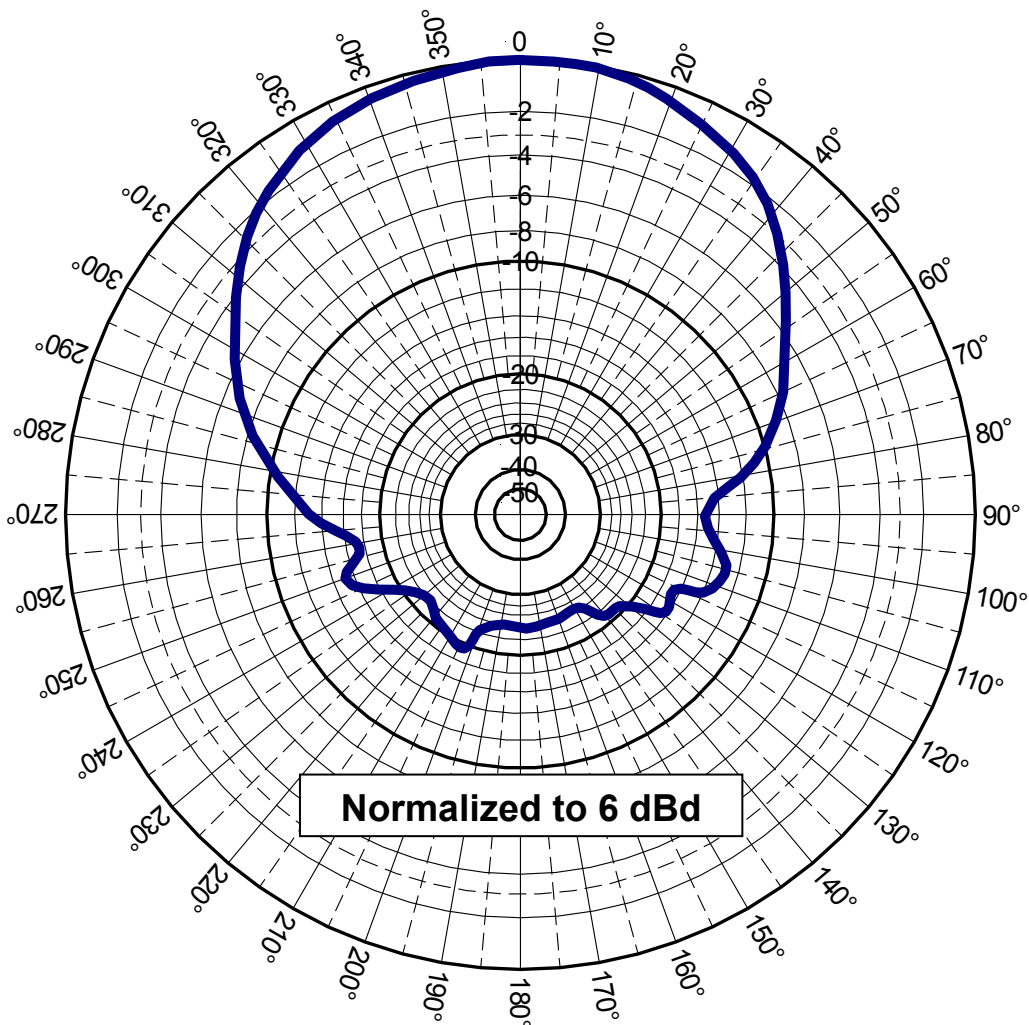
**Vertical-to-Vertical Polarization
Azimuthal Pattern (X, Y or E-Plane)**

Product Specification

**TITLE: Y(B)8963 Black or Gold anodized 896-970MHz fully welded
3 elements 6dBd Directional Yagi**

Part #: **Y(B)8963**
Memo: **Spec**
Page: **3 of 5**
Date: **4/12/2006**

ANTENNA RADIATION PATTERN



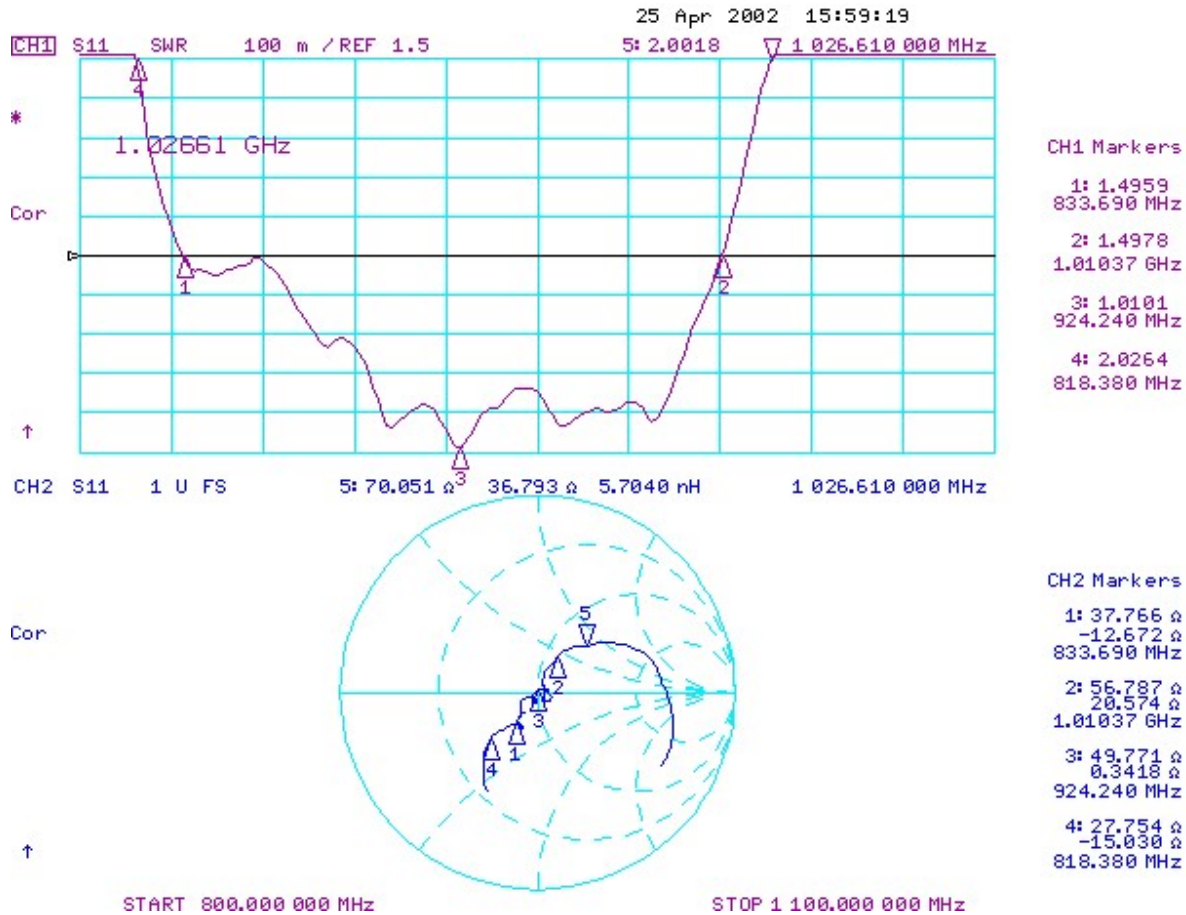
**Horizontal-to-Horizontal Polarization
Elevation Pattern (Y, Z or H-Plane)**

Product Specification

**TITLE: Y(B)8963 Black or Gold anodized 896-970MHz fully welded
3 elements 6dBd Directional Yagi**

Part #: **Y(B)8963**
Memo: **Spec**
Page: **4 of 5**
Date: **4/12/2006**

VSWR of Y8963



Y8963 Typical VSWR sweeps – Primary Specifications

Marker 1: 1.4959 to 1 @ 833 MHz
Marker 2: 1.4978 to 1 @ 1010 MHz
Marker 3: 1.0101 to 1 @ 924 MHz

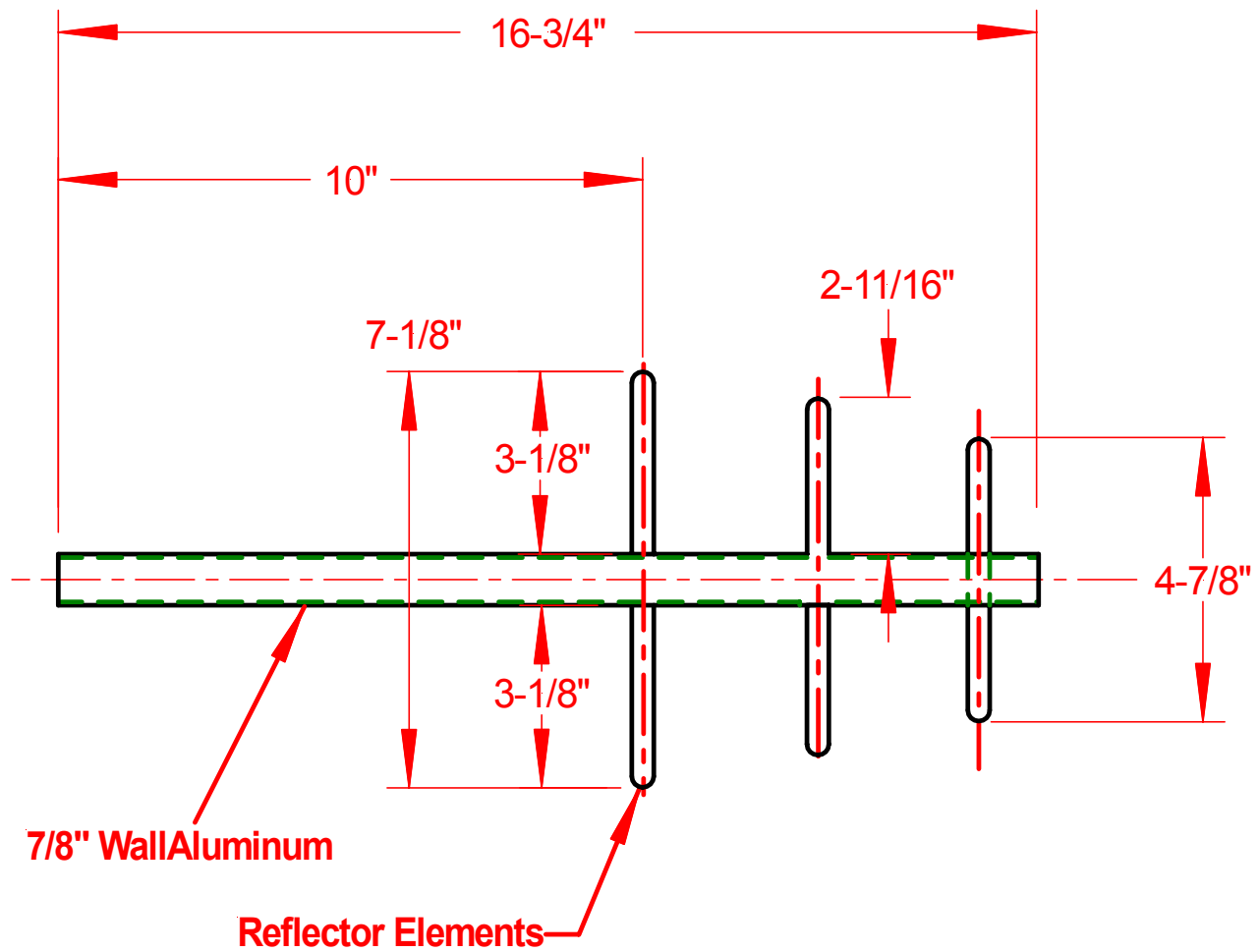
Y8963 Typical VSWR sweeps – Secondary Specifications

Marker 4: 2.0264 to 1 @ 818 MHz
Marker 5: 2.0018 to 1 @ 1026 MHz
12/19/2002

Product Specification

**TITLE: Y(B)8963 Black or Gold anodized 896-970MHz fully welded
3 elements 6dBd Directional Yagi**

Part #: **Y(B)8963**
Memo: **Spec**
Page: **5 of 5**
Date: **4/12/2006**



Form factor for Y8963.