

Smart switches for modern industrial networks.



eworx SE500 SERIES SWITCHES

B+B SMARTWORX

Powered by

ADANTECH

Intelligence at the Network Edge



SE500 SERIES SMART SWITCHES

INDUSTRIAL GRADE MANAGED SWITCHES

SE500 series smart switches are designed and built to work in harsh environments. They include the features you need in a managed switch, including VLAN, IGMP Snooping, Ring Technology, SNMP V1,V2c,V3, Web and Telnet support. They support secure features such as SSH, SSL, TLS, TTLS, PEAP and Radius. SE500 switches also contain "IXM", the industry leading cross management technology.

Limited Lifetime Warranty

Future-Proof Gigabit Bandwidth

B+B's IXM® & NMS®

No need to install any software in a PC. Advantech B+B SmartWorx IXM allows you to run a batch configuration to configure all of your eWorx switches at the same time, making deployment of multiple switches fast and easy. This works with other SE500 series switches as well as the SE300 series.

Use Advantech B+B SmartWorx NMS to integrate maintenance and monitoring with our easy-to-use GUI network management tool.

Advanced Management

- Advantech B+B SmartWorx IXM® - Fast Deployment
- Advantech B+B SmartWorx NMS® - Centralized Management Tool
- Telnet Command Line Interface (CLI)
- WebGUI
- DHCP, DHCP Option 82
- Full Layer 2 software package
- System Log
- Storm Control

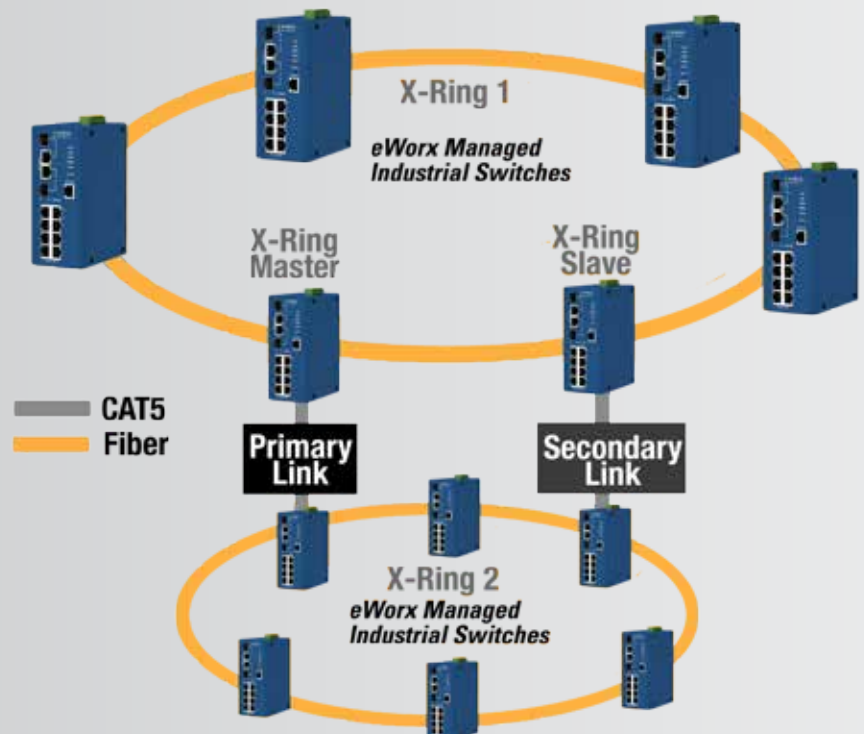
Dual Power Inputs - 8.4 to 57.6 VDC

- Overload current protection
- Power-fail relay

Advanced Diagnostics

- Cable Diagnostic
- IPv4/IPv6 Ping Test
- DDM – Fiber Status Monitoring and Warning - System Information
- Device Status/IP Address
- Port Information
- Port Status/Port Speed
- Packet Information
- Tx/Rx Error Packets

NETWORK REDUNDANCY





Ethernet Green®. IEEE802.3az Energy-Efficient Ethernet

- **eWorx Switches cut power usage by up to 60%**, reducing total cost of ownership
- Automatically powers down ports that have no link
- Budgets power output for different Ethernet cable lengths

Industrial Certifications Tailored to Meet the Needs of Your Application

Industry Control: UL508

Hazardous Location: ATEX * (pending)

Class I/Division 2 *, IECEx * (pending)

Traffic Control: NEMA TS2 *

Rail Traffic: EN50121 *

Marine: DVN *

(* Design Compliant)

USER FRIENDLY GUI



Industrial Cyber Security is Built-in

- The 802.1x function provides port-based authentication to prevent unauthorized devices (clients) from gaining access to the network.
- Port Security (MAC and IP based)
- DoS
- HTTPS/ SSH/SSL for secured connections from the remote or direct-connect with the switch.
- Using multiple account management, the user can set up several levels to access/configure the switch. This allows for flexible field implementation

Models with PoE/PoE+ Option

- IEEE802.3af/at compliant
- Each port, up to 30 W
- PoE power budget, maximum 120 W
- Smart PoE management

Designed and Built for Hazardous Environments

- Wide temperature design, -40 to 75 °C
- MTBF: Over 98 years
- Radiated/Conducted noise protection, EMC Level 3

Ports and Speed

- 8 x 10/100/1000Base-T/TX RJ-45
- 2 x GbE RJ-45/SFP (mini-GBIC) Combo port



B+B's IXM®:

**CONFIGURE
ONE SWITCH TO
CONFIGURE THEM ALL!**



ENABLING INNOVATION

- Reduced direct costs for installation and deployment
- Reduced power consumption
- Faster development and deployment cycles with lower project risk
- Protection of initial investment as system requirements change
- Integrate new technologies as they emerge
- Maximizes lifetime Return On Investment

+ GLOBAL REACH FOR GLOBAL SUPPORT

You build your business and we will build your communication solution. Whether you need standard products or require special designs for specific applications – B+B SmartWorx can help.

B+B SMARTWORX

Powered by

ADVANTECH

Worldwide Headquarters

ADVANTECH
No. 1, Alley20, Lane26, Rueiguang Road
Neihu District, Taipei 11491
Taiwan, R.O.C
Phone: 0800-777-111
www.advantech.com

European Headquarters

Oranmore, Co. Galway, Ireland
Phone: +353 91 792444
Fax: +353 91 792445
eSales@advantech-bb.com

Corporate Headquarters

707 Dayton Road
Ottawa, IL 61350 USA
Phone: (815) 433-5100
Fax: (815) 433-5109
orders@advantech-bb.com
www.advantech-bb.com

Middle East, UAE, Africa

mdeast-afrsales@advantech-bb.com
Mobile: +971 50 943 65 62
AG Silver Tower, JLT, P.O. Box 48777
Dubai, UAE

Cellular Product Group

Sokolská 71, 562 04 Ústí nad Orlicí III.
Czech Republic
Phone: +420 465 521 020
Fax: +420 464 647 299
GSM: +420 603 872 287
cellularsales@advantech-bb.com

Latin America, Caribbean

latamsales@advantech-bb.com
Phone: (727) 797-0300
Cell: (727) 480-5920

OEM & Product Modification

Phone: (815) 433-5222
Fax: (815) 433-5104
Attn: Custom Dept.
custom@advantech-bb.com
Custom Quote Request Form:
<http://advantech-bb.com/custom>